

# SPECIFICATION FOR APPROVAL

- ( ) Preliminary Specification
- (◆) Final Specification

Title	10.1" HD TFT LCD
-------	------------------

Customer	SONY
MODEL	

SUPPLIER	LG Display Co., Ltd.
*MODEL	LP101WH1
Suffix	TLA1

\*When you obtain standard approval,  
please use the above model name without suffix

APPROVED BY	SIGNATURE
/	_____
/	_____
/	_____

Please return 1 copy for your confirmation with your signature and comments.

APPROVED BY	SIGNATURE
<b>C. J. Jun / Manager</b>	_____
<b>REVIEWED BY</b>	
<b>S. W. Paeng / Manager</b>	_____
<b>PREPARED BY</b>	
<b>M. G. Park / Engineer</b>	_____

Products Engineering Dept.  
LG Display Co., Ltd

## Product Specification

Contents

No	ITEM	Page
	COVER	1
	CONTENTS	2
	RECORD OF REVISIONS	3
1	GENERAL DESCRIPTION	4
2	ABSOLUTE MAXIMUM RATINGS	5
3	ELECTRICAL SPECIFICATIONS	
3-1	ELECTRICAL CHARACTERISTICS	6
3-2	INTERFACE CONNECTION	7
3-3	LVDS SIGNAL TIMING SPECIFICATIONS	8
3-4	SIGNAL TIMING SPECIFICATIONS	10
3-5	SIGNAL TIMING WAVEFORMS	10
3-6	COLOR INPUT DATA REFERENCE	11
3-7	POWER SEQUENCE	12
4	OPTICAL SPECIFICATIONS	14
5	MECHANICAL CHARACTERISTICS	17
6	RELIABILITY	21
7	INTERNATIONAL STANDARDS	
7-1	SAFETY	22
7-2	EMC	22
8	PACKING	
8-1	DESIGNATION OF LOT MARK	23
8-2	PACKING FORM	23
9	PRECAUTIONS	24
A	APPENDIX. Enhanced Extended Display Identification Data	26
B	APPENDIX. Packing Ass'y & Pallet Ass'y	29

Product Specification

**RECORD OF REVISIONS**

Revision No	Revision Date	Page	Description	EDID ver
0.0	Nov. 10. 2008	All	First Draft (Preliminary Specification)	-
0.1	Feb. 18. 2009	7	36 pin(@ Pin Map)	-
		16	Active Area Dimension	-
		17	Front View	-
		18	Rear View	-
		25~27	EDID	-
0.2	Mar. 04. 2009	5	Add notes2(Normal scanner operation)	-
		6	Electrical Characteristics	-
		7	VLED Voltage Range	-
		12,13	Power Sequence	-
		18	Add active area & bezel open tolerance	-
		19	COF location update on drawing	-
		10	Timing Table	-
0.4	Apr. 20. 2009	10	Timing Table	-
		6	Electrical Characteristics	-
		17,18	Mechanical Dimension	-
0.5	May. 11. 2009	7	VLED Voltage Range	-
1.0	Jun. 15. 2009	7	Modify connector name	-
		14	Modify Surface Luminance, white	-
		15	Modify Gray scale specification	-
		18,19	Update Mechanical Drawing	-
		29,30	Add packing information	-

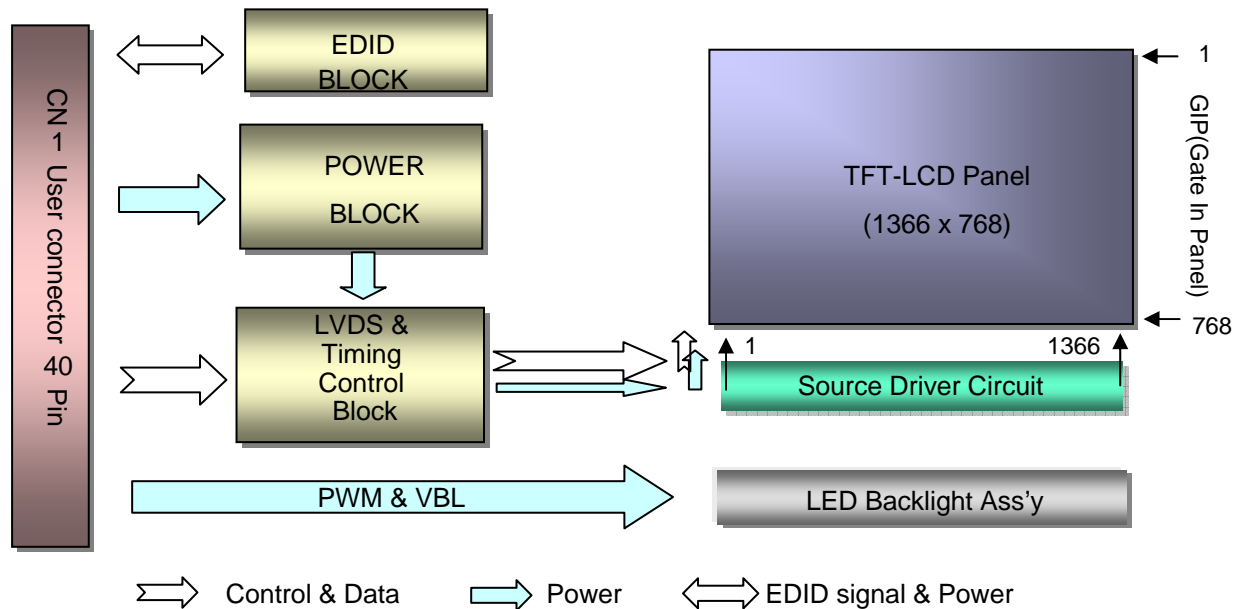
Product Specification

### 1. General Description

The LP101WH1 is a Color Active Matrix Liquid Crystal Display with an integral LED backlight system. The matrix employs a-Si Thin Film Transistor as the active element. It is a transmissive type display operating in the normally white mode. This TFT-LCD has 10.1 inches diagonally measured active display area with HD resolution(1366 horizontal by 768 vertical pixel array). Each pixel is divided into Red, Green and Blue sub-pixels or dots which are arranged in vertical stripes. Gray scale or the brightness of the sub-pixel color is determined with a 6-bit gray scale signal for each dot, thus, presenting a palette of more than 262,144 colors.

The LP101WH1 has been designed to apply the interface method that enables low power, high speed, low EMI.

The LP101WH1 is intended to support applications where thin thickness, low power are critical factors and graphic displays are important. In combination with the vertical arrangement of the sub-pixels, the LP101WH1 characteristics provide an excellent flat display for office automation products such as Notebook PC.



### General Features

Active Screen Size	10.1 inches diagonal
Outline Dimension	235(H) × 143(V) × .52(D,Max.) [mm]
Pixel Pitch	0.16305mm × 0.16305 mm
Pixel Format	1366 horiz. By 768 vert. Pixels RGB strip arrangement
Color Depth	6-bit, 262,144 colors
Luminance, White	200 cd/m <sup>2</sup> (min. 5 point)
Power Consumption	Total 3.46 Watt(Typ.) @ LCM circuit 1.16 Watt(Typ.), B/L input 2.3 Watt(Typ.) (W/O LED Driver)
Weight	200g (Max.)
Display Operating Mode	Transmissive mode, normally white
Surface Treatment	Glare treatment of the front polarizer
RoHS Comply	Yes

## 2. Absolute Maximum Ratings

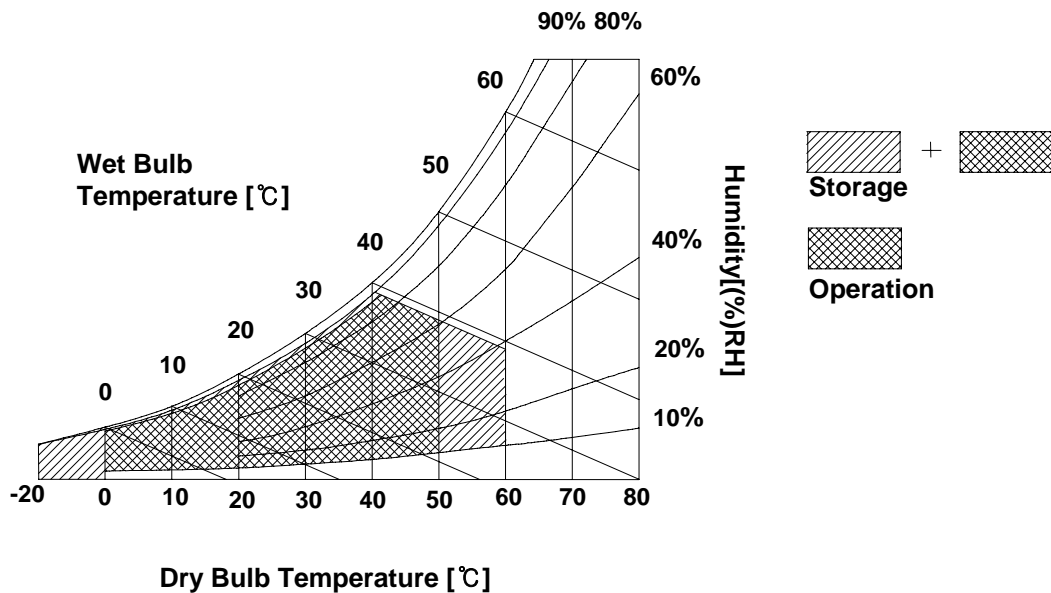
The following are maximum values which, if exceeded, may cause faulty operation or damage to the unit.

**Table 1. ABSOLUTE MAXIMUM RATINGS**

Parameter	Symbol	Values		Units	Notes
		Min	Max		
Power Input Voltage	VCC	-0.3	4.0	Vdc	at 25 ± 5°C
Operating Temperature	TOP	0	50	°C	1,2
Storage Temperature	HST	-20	60	°C	1
Operating Ambient Humidity	HOP	10	90	%RH	1
Storage Humidity	HST	10	90	%RH	1

Note : 1. Temperature and relative humidity range are shown in the figure below.  
Wet bulb temperature should be 39°C Max, and no condensation of water.

Note : 2. Not showing abnormal scanner operation when turning on LCD Module after storage test at -10°C during 30min.



### 3. Electrical Specifications

#### 3-1. Electrical Characteristics

The LP101WH1 requires two power inputs. One is employed to power the LCD electronics and to drive the TFT array and liquid crystal. The second input which powers the LED BL.

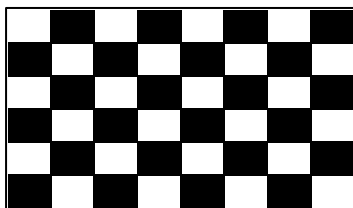
**Table 2. ELECTRICAL CHARACTERISTICS**

Parameter	Symbol	Values			Unit	Notes	
		Min	Typ	Max			
MODULE :							
Power Supply Input Voltage	VCC	3.0	3.3	3.6	V <sub>DC</sub>		
Power Supply Input Current	I <sub>CC</sub>	-	350	402	mA	1	
Power Consumption	P <sub>C</sub>	-	1.16	1.33	Watt	1	
Power Supply Inrush Current	I <sub>CC_P</sub>	-	-	1500	mA		
Differential Impedance	Z <sub>m</sub>	90	100	110	Ohm	2	
LED Backlight ( With LED Driver ) :							
LED Power Inrush Current	I <sub>LED_P</sub>	-	-	1,500	mA		
LED Driver ( @12V )	P <sub>DRIVER</sub>	-	0.21	0.25	Watt		
Operating Voltage	V <sub>LED</sub>	-	28.8	31.5	V		
Operating Current per string	I <sub>LED</sub>	-	20	-	mA	3	
Power Consumption	P <sub>BL</sub>	-	2.3	2.52	Watt	4	
Life Time		15,000			Hrs	5	

※ LED Driver PWM Input Range Specification: 12.5%(Min.)~100%(Max.)  
(PWM Input Frequency Specification: 200Hz~2Khz)

Note)

1. The specified current and power consumption are under the V<sub>CC</sub> = 3.3V , 25°C , f<sub>v</sub> = 60Hz condition whereas Mosaic pattern is displayed and f<sub>v</sub> is the frame frequency.



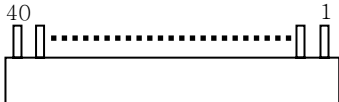
2. This impedance value is needed to proper display and measured form LVDS Tx to the mating connector.
3. The typical operating current is for the typical surface luminance (L<sub>WH</sub>) in optical characteristics.  
I<sub>LED</sub> is the current of each LED's string, LED backlight has 4 strings on it. ( LED Q'ty : 9ea per 1string)
4. The LED power consumption shown above does not include power of external LED driver circuit for typical current condition.
5. The life time is determined as the time at which brightness of LED is 50% compare to that of initial value at the typical LED current.

Product Specification

### 3-2. Interface Connection

This LCD employs one interface connection, a 40 pin connector is used for the module electronics interface.

**Table 3. MODULE CONNECTOR PIN CONFIGURATION (CN1)**

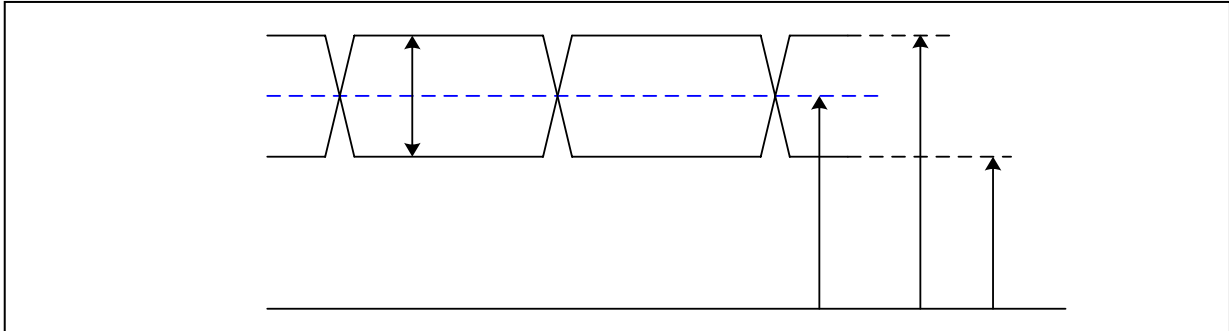
Pin	Symbol	Description	Notes
1	CT1/NC	Connector Test/No Connection(Reserved)	<p>1, Interface chips 1.1 LCD : SiW, 1port including LVDS Receiver 1.2 System : * Pin to Pin compatible with LVDS</p> <p>2. Connector 2.1 LCD : I-PEX 20455-040E-12 (Locking type)</p> <p>2.2 Mating : 2.3 Connector pin arrangement</p>  <p>[LCD Module Rear View]</p>
2	VDD	+3.3V Power Supply	
3	VDD	+3.3V Power Supply	
4	V <sub>EDID</sub>	+3.3V EDID Power	
5	Test	Panel Self Test	
6	CLK <sub>EDID</sub>	EDID Clock Input	
7	DATA <sub>EDID</sub>	EDID Data Input	
8	RxIN0-	LVDS differential data input	
9	RxIN0+	LVDS differential data input	
10	GND	Ground	
11	RxIN1-	LVDS differential data input	
12	RxIN1+	LVDS differential data input	
13	GND	Ground	
14	RxIN2-	LVDS differential data input	
15	RxIN2+	LVDS differential data input	
16	GND	Ground	
17	RxCLKIN-	LVDS differential clock input	
18	RxCLKIN+	LVDS differential clock input	
19	GND	Ground	
20	NC	No Connection	
21	NC	No Connection	
22	GND	Ground	
23	NC	No Connection	
24	NC	No Connection	
25	GND	Ground	
26	NC	No Connection	
27	NC	No Connection	
28	GND	Ground	
29	NC	No Connection	
30	NC	No Connection	
31	VLED_GND	LED Ground	
32	VLED_GND	LED Ground	
33	VLED_GND	LED Ground	
34	CT2/NC	Connector Test/No Connection(Reserved)	
35	S_PWMIN	System PWM signal input(+3.3V swing)	
36	BL_ON	LED Enable(3.3V Input) [Note 1]	
37	NC	No Connection	
38	VLED	6.5~21V LED Power Supply	
39	VLED	6.5~21V LED Power Supply	
40	VLED	6.5~21V LED Power Supply	

[Note 1]  
On: 2.0V ↑, Off: 0~0.4V

Product Specification

3-3. LVDS Signal Timing Specifications

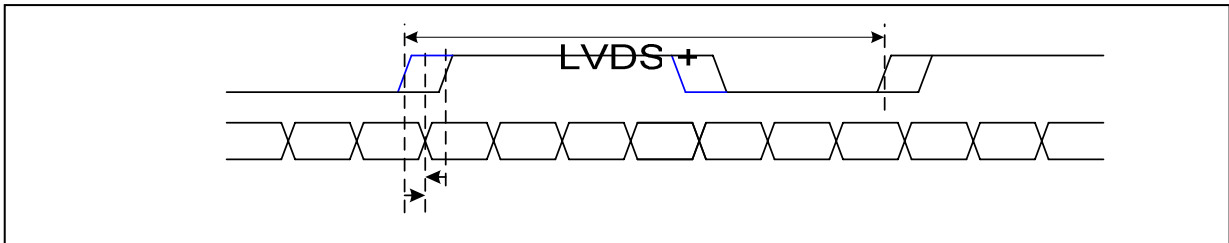
3-3-1. DC Specification



Description	Symbol	Min	Max	Unit	Notes
LVDS Differential Voltage	$ V_{ID} $	100	600	mV	-
LVDS Common mode Voltage	$V_{CM}$	0.6	1.8	V	-
LVDS Input Voltage Range	$V_{IN}$	0.3	2.1	V	-

$|V_{ID}|$

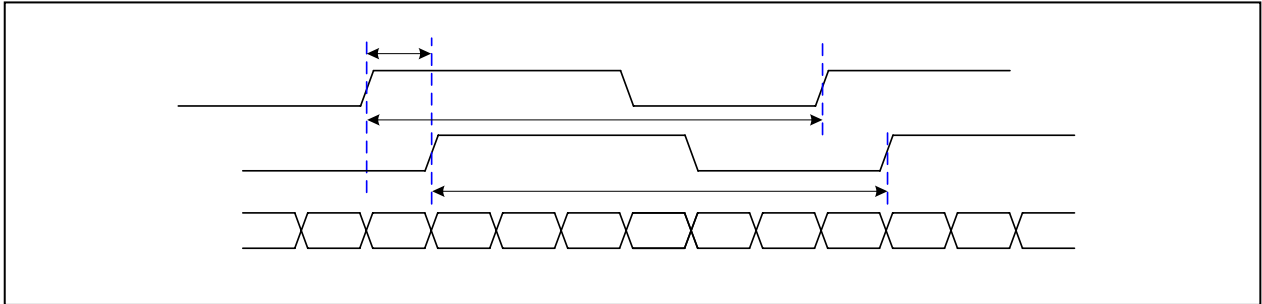
3-3-2. AC Specification



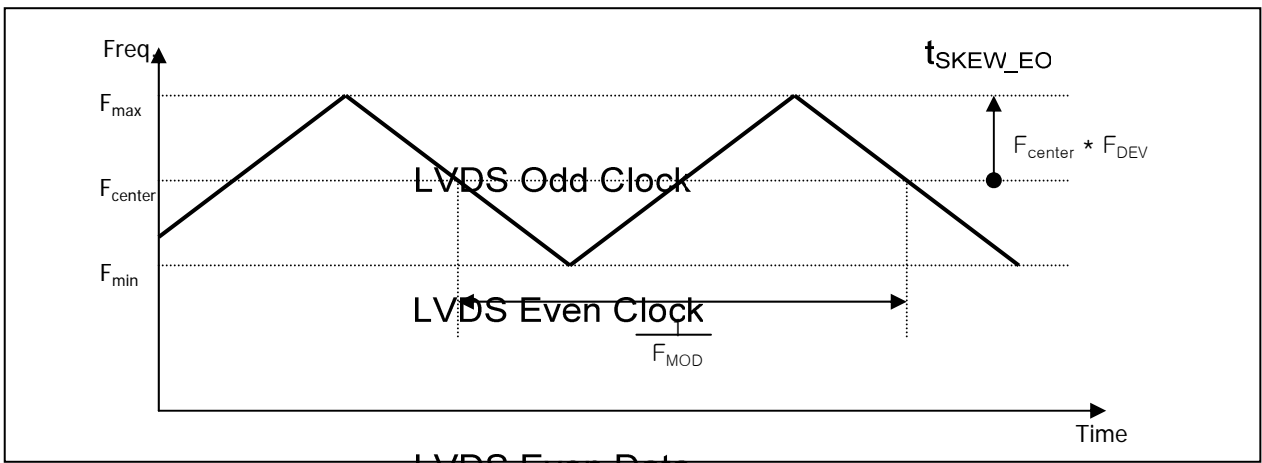
Description	Symbol	Min	Max	Unit	Notes
LVDS Clock to Data Skew Margin	$t_{SKEW}$	- 400	+ 400	ps	$\#  V_{ID}  =  (LVDS+) - (LVDS-) $ $\# V_{CM} = \{(LVDS+) + (LVDS-)\}/2$ 85MHz > Fclk ≥ 65MHz
	$t_{SKEW}$	- 600	+ 600	ps	
LVDS Clock to Clock Skew Margin (Even to Odd)	$t_{SKEW\_EO}$	- 1/7	+ 1/7	$T_{clk}$	-
Maximum deviation of input clock frequency during SSC	$F_{DEV}$	-	± 3	%	-
Maximum modulation frequency of input clock during SSC	$F_{MOD}$	-	200	KHz	-



Product Specification



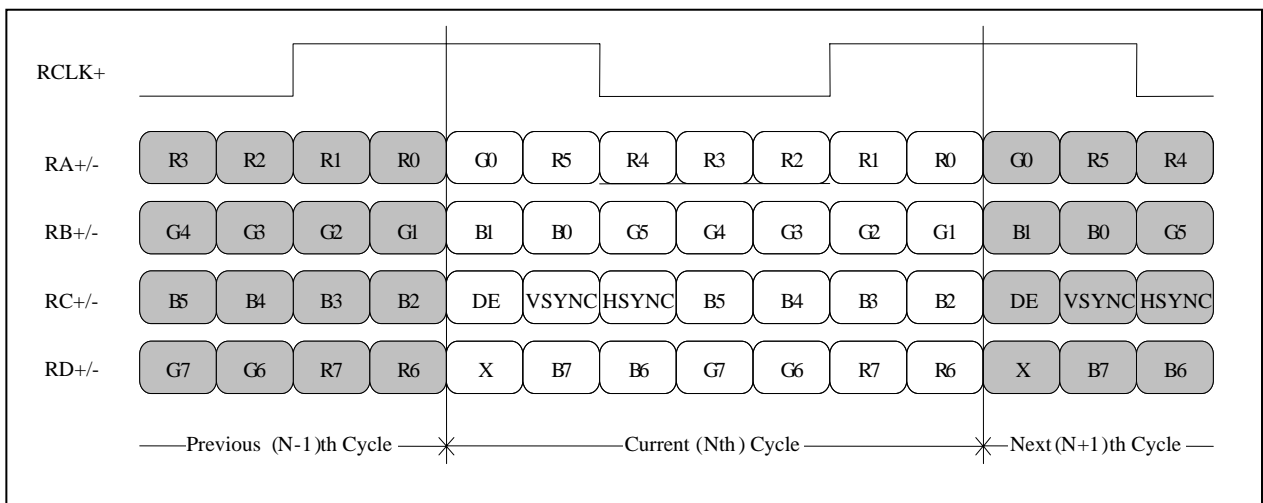
< Clock skew margin between channel >



LVDS Even Data  
< Spread Spectrum >

3-3-3. Data Format

- LVDS 1 Port



< LVDS Data Format >

Product Specification

3-4. Signal Timing Specifications

This is the signal timing required at the input of the User connector. All of the interface signal timing should be satisfied with the following specifications and specifications of LVDS Tx/Rx for its proper operation.

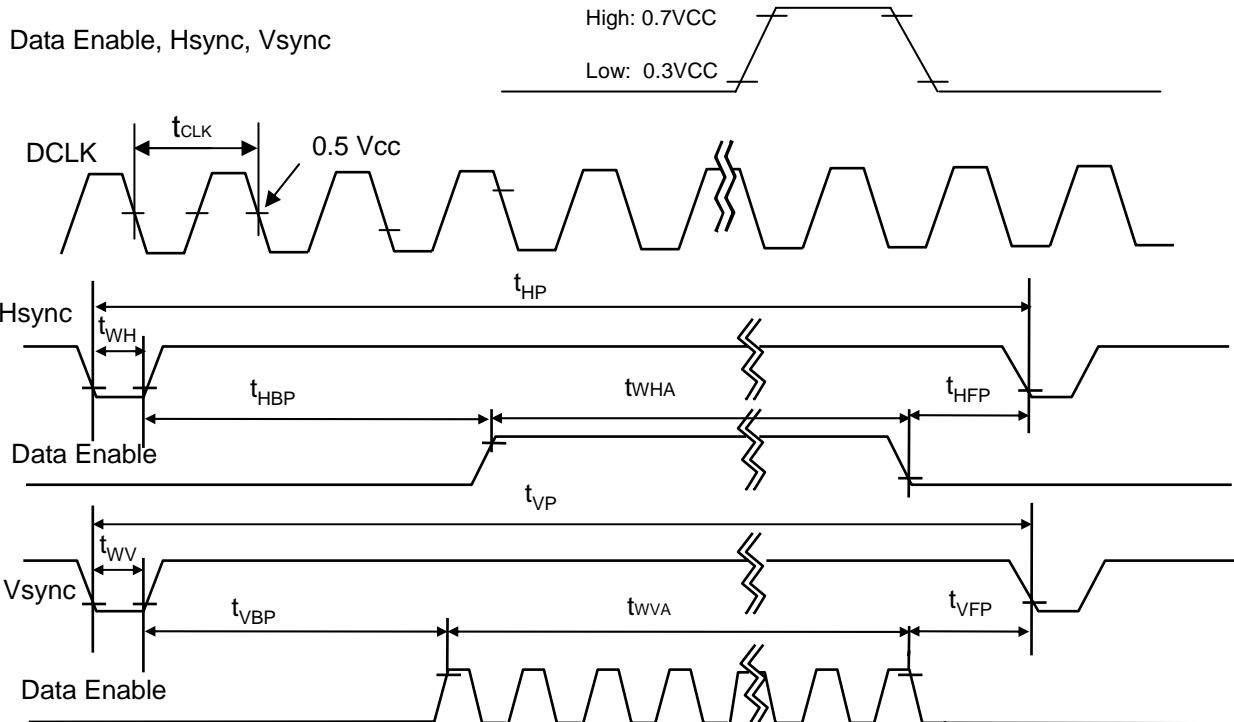
Table 5. TIMING TABLE

ITEM	Symbol	Min	Typ	Max	Unit	Note
DCLK	Frequency	$f_{CLK}$	66.5	72.3	76.2	MHz
Hsync	Period	$T_{hp}$	1430	1526	1586	tCLK
	Width-Active	$t_{WHA}$	1366	1366	1366	
	Blanking	$t_{HFP} + t_{WH} + t_{HBP}$	64	160	220	
Vsync	Period	$t_{VP}$	775	790	801	tHP
	Width-Active	$t_{WVA}$	768	768	768	
	Blanking	$t_{VFP} + t_{WV} + t_{VBP}$	7	22	33	

※DE only Mode

3-5. Signal Timing Waveforms

Condition : VCC =3.3V



### 3-6. Color Input Data Reference

The brightness of each primary color (red, green and blue) is based on the 6-bit gray scale data input for the color ; the higher the binary input, the brighter the color. The table below provides a reference for color versus data input.

**Table 7. COLOR DATA REFERENCE**

Color		Input Color Data																	
		RED						GREEN						BLUE					
		MSB				LSB		MSB				LSB		MSB		LSB			
		R 5	R 4	R 3	R 2	R 1	R 0	G 5	G 4	G 3	G 2	G 1	G 0	B 5	B 4	B 3	B 2	B 1	B 0
Basic Color	Black	0	0	0	0	0	0	0	0	0	0	0	0	0	0	0	0	0	0
	Red	1	1	1	1	1	1	0	0	0	0	0	0	0	0	0	0	0	0
	Green	0	0	0	0	0	0	1	1	1	1	1	1	0	0	0	0	0	0
	Blue	0	0	0	0	0	0	0	0	0	0	0	0	1	1	1	1	1	1
	Cyan	0	0	0	0	0	0	1	1	1	1	1	1	1	1	1	1	1	1
	Magenta	1	1	1	1	1	1	0	0	0	0	0	0	1	1	1	1	1	1
	Yellow	1	1	1	1	1	1	1	1	1	1	1	1	0	0	0	0	0	0
	White	1	1	1	1	1	1	1	1	1	1	1	1	1	1	1	1	1	1
RED	RED (00)	0	0	0	0	0	0	0	0	0	0	0	0	0	0	0	0	0	0
	RED (01)	0	0	0	0	0	1	0	0	0	0	0	0	0	0	0	0	0	0
	...																		
	RED (62)	1	1	1	1	1	0	0	0	0	0	0	0	0	0	0	0	0	0
	RED (63)	1	1	1	1	1	1	0	0	0	0	0	0	0	0	0	0	0	0
GREEN	GREEN (00)	0	0	0	0	0	0	0	0	0	0	0	0	0	0	0	0	0	0
	GREEN (01)	0	0	0	0	0	0	0	0	0	0	0	1	0	0	0	0	0	0
	...																		
	GREEN (62)	0	0	0	0	0	0	1	1	1	1	1	0	0	0	0	0	0	0
	GREEN (63)	0	0	0	0	0	0	1	1	1	1	1	1	0	0	0	0	0	0
BLUE	BLUE (00)	0	0	0	0	0	0	0	0	0	0	0	0	0	0	0	0	0	0
	BLUE (01)	0	0	0	0	0	0	0	0	0	0	0	0	0	0	0	0	0	1
	...																		
	BLUE (62)	0	0	0	0	0	0	0	0	0	0	0	0	1	1	1	1	1	0
	BLUE (63)	0	0	0	0	0	0	0	0	0	0	0	0	1	1	1	1	1	1

### 3-7. Power Sequence

#### 3-7-1. Logic Power and LVDS Signal Sequence

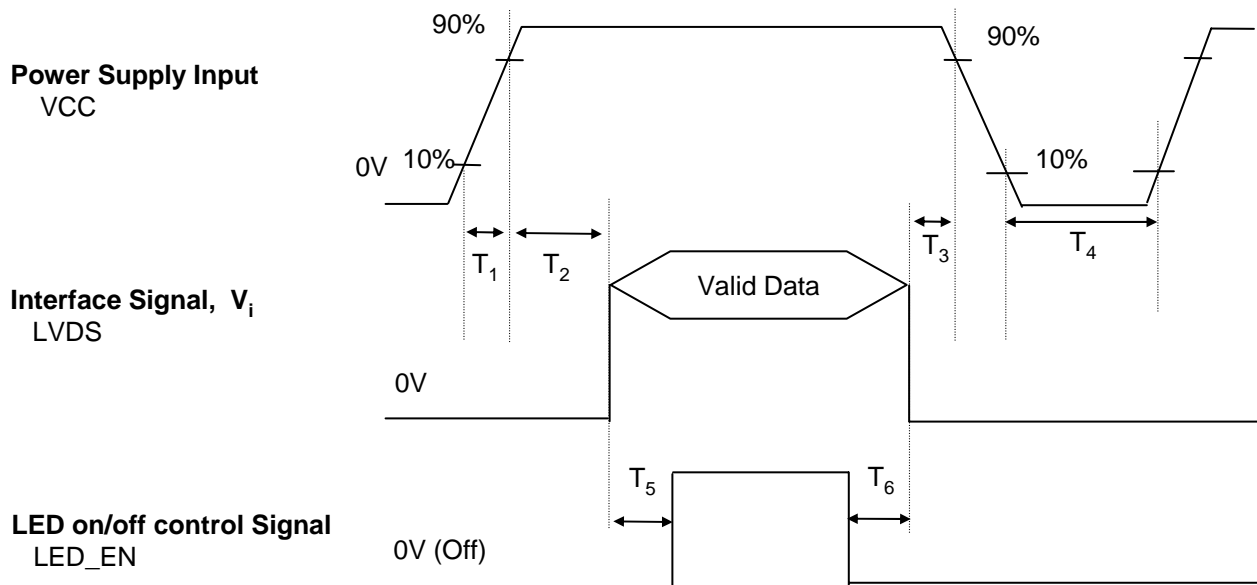


Table 6. LOGIC POWER SEQUENCE TABLE

Parameter	Value			Units
	Min.	Typ.	Max.	
$T_1$	0.5	-	10	ms
$T_2$	0	-	50	ms
$T_3$	0	-	50	ms
$T_4$	400	-	-	ms
$T_5$	200	-	-	ms
$T_6$	200	-	-	ms

Note)

1. Valid Data has to meet "3-3. LVDS Signal Timing Specifications"
2. Please avoid floating state of interface signal at invalid period.
3. When the interface signal is invalid, be sure to pull down the power supply for LCD VCC to 0V.
4. LED power must be turn on after power supply for LCD and interface signal are valid.

3-7-2. LED\_EN , PWN and LED Power Sequence

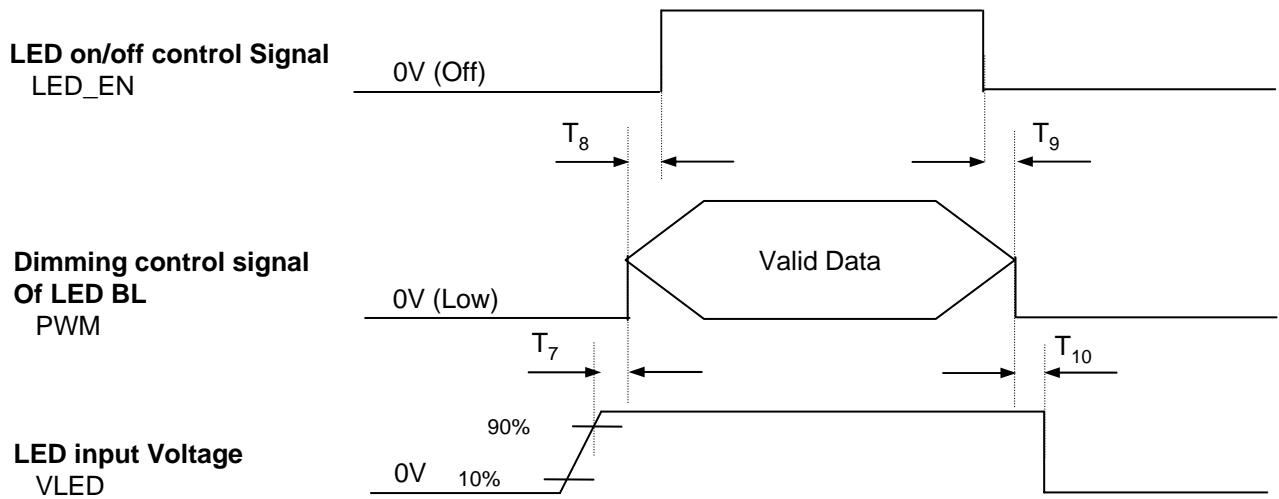


Table 7. LED POWER SEQUENCE TABLE

Parameter	Value			Units
	Min.	Typ.	Max.	
$T_7$	10	-	-	ms
$T_8$	0	-	-	ms
$T_9$	0	-	-	ms
$T_{10}$	10	-	-	ms

Note)

- Control signal has to meet "3-1. Electrical Characteristics"

Product Specification

4. Optical Specification

Optical characteristics are determined after the unit has been 'ON' and stable for approximately 30 minutes in a dark environment at 25°C. The values specified are at an approximate distance 50cm from the LCD surface at a viewing angle of  $\Phi$  and  $\Theta$  equal to 0°.

FIG. 1 presents additional information concerning the measurement equipment and method.

FIG. 1 Optical Characteristic Measurement Equipment and Method

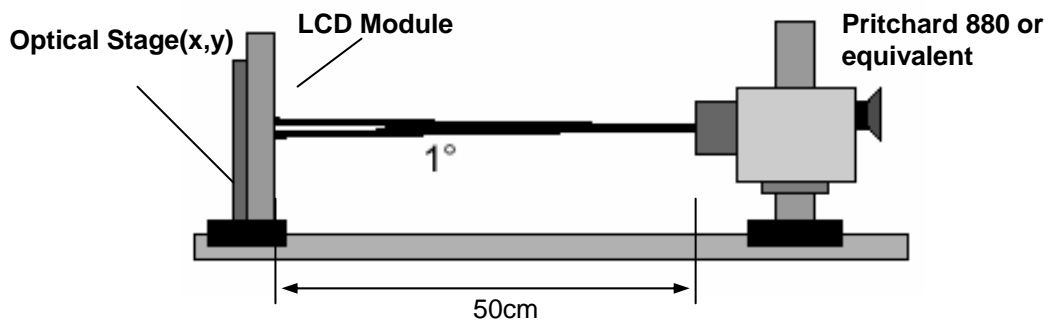


Table 8. OPTICAL CHARACTERISTICS

Ta=25°C, VCC=3.3V, fv=60Hz, fCLK= 72.3MHz, IBL= 20 mA

Parameter	Symbol	Values			Units	Notes
		Min	Typ	Max		
Contrast Ratio	CR	400	-	-		1
Surface Luminance, white	L <sub>WH</sub>	200	-	-	cd/m <sup>2</sup>	2
Luminance Variation	$\delta_{\text{WHITE}}$	-	1.4	1.6		3
Response Time	T <sub>R</sub> + T <sub>D</sub>	-	16	25	ms	4
Color Coordinates						
RED	RX	0.568	0.598	0.628		
	RY	0.312	0.342	0.372		
GREEN	GX	0.281	0.311	0.341		
	GY	0.569	0.599	0.629		
BLUE	BX	0.123	0.153	0.183		
	BY	0.089	0.119	0.149		
WHITE	WX	0.283	0.313	0.343		
	WY	0.299	0.329	0.359		
Viewing Angle						
x axis, right( $\Phi=0^\circ$ )	$\Theta_r$	30	-	-	degree	5
x axis, left ( $\Phi=180^\circ$ )	$\Theta_l$	30	-	-	degree	
y axis, up ( $\Phi=90^\circ$ )	$\Theta_u$	10	-	-	degree	
y axis, down ( $\Phi=270^\circ$ )	$\Theta_d$	20	-	-	degree	
Gray Scale			2.2			6

Product Specification

Note)

1. Contrast Ratio(CR) is defined mathematically as

$$\text{Contrast Ratio} = \frac{\text{Surface Luminance with all white pixels}}{\text{Surface Luminance with all black pixels}}$$

2. Surface luminance is the average of 5 point across the LCD surface 50cm from the surface with all pixels displaying white. For more information see FIG 1.

$$L_{WH} = \text{Average}(L_1, L_2, \dots L_5)$$

3. The variation in surface luminance , The panel total variation ( $\delta_{WHITE}$ ) is determined by measuring  $L_N$  at each test position 1 through 13 and then defined as followed numerical formula.  
For more information see FIG 2.

$$\delta_{WHITE} = \frac{\text{Maximum}(L_1, L_2, \dots L_{13})}{\text{Minimum}(L_1, L_2, \dots L_{13})}$$

4. Response time is the time required for the display to transition from white to black (rise time,  $Tr_R$ ) and from black to white(Decay Time,  $Tr_D$ ). For additional information see FIG 3.

5. Viewing angle is the angle at which the contrast ratio is greater than 10. The angles are determined for the horizontal or x axis and the vertical or y axis with respect to the z axis which is normal to the LCD surface. For more information see FIG 4.

6. Gray scale specification

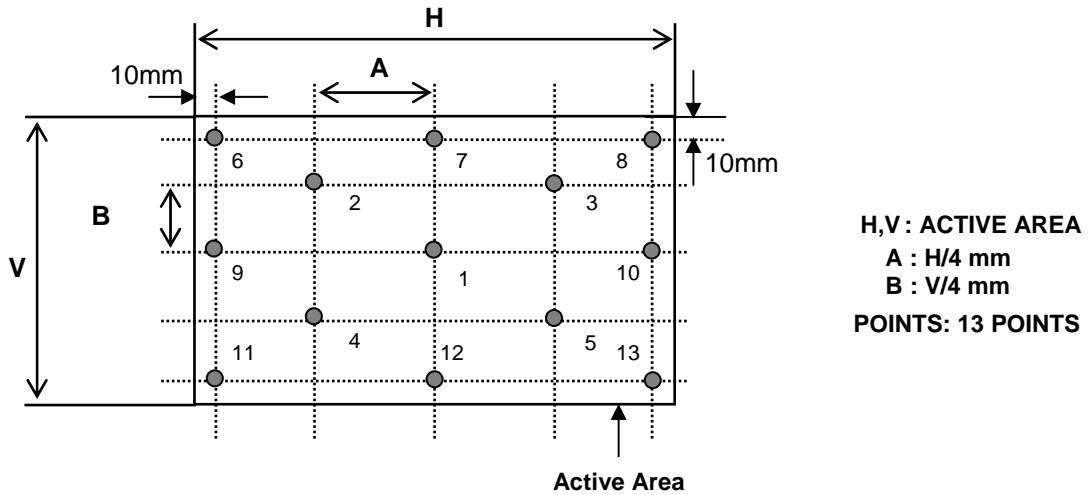
\*  $f_V = 60\text{Hz}$

Gray Level	Luminance [%] (Typ)
L0	0.10
L7	0.64
L15	3.56
L23	9.47
L31	18.5
L39	31.7
L47	49.7
L55	72.9
L63	100

Product Specification

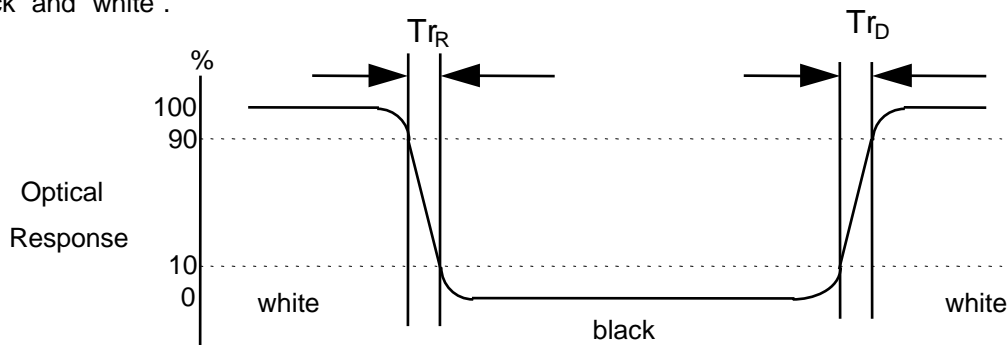
**FIG. 2 Luminance**

<measuring point for surface luminance & measuring point for luminance variation>

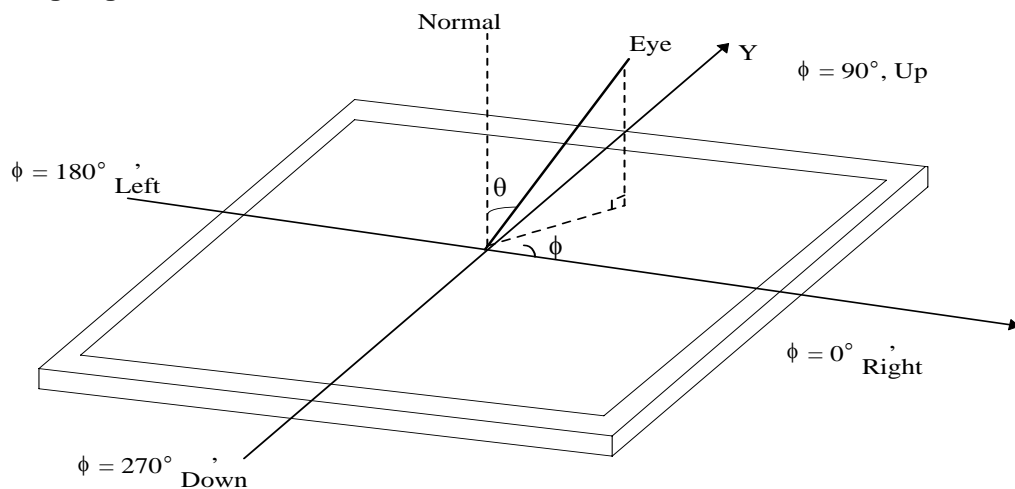


**FIG. 3 Response Time**

The response time is defined as the following figure and shall be measured by switching the input signal for "black" and "white".



**FIG. 4 Viewing angle**





## 5. Mechanical Characteristics

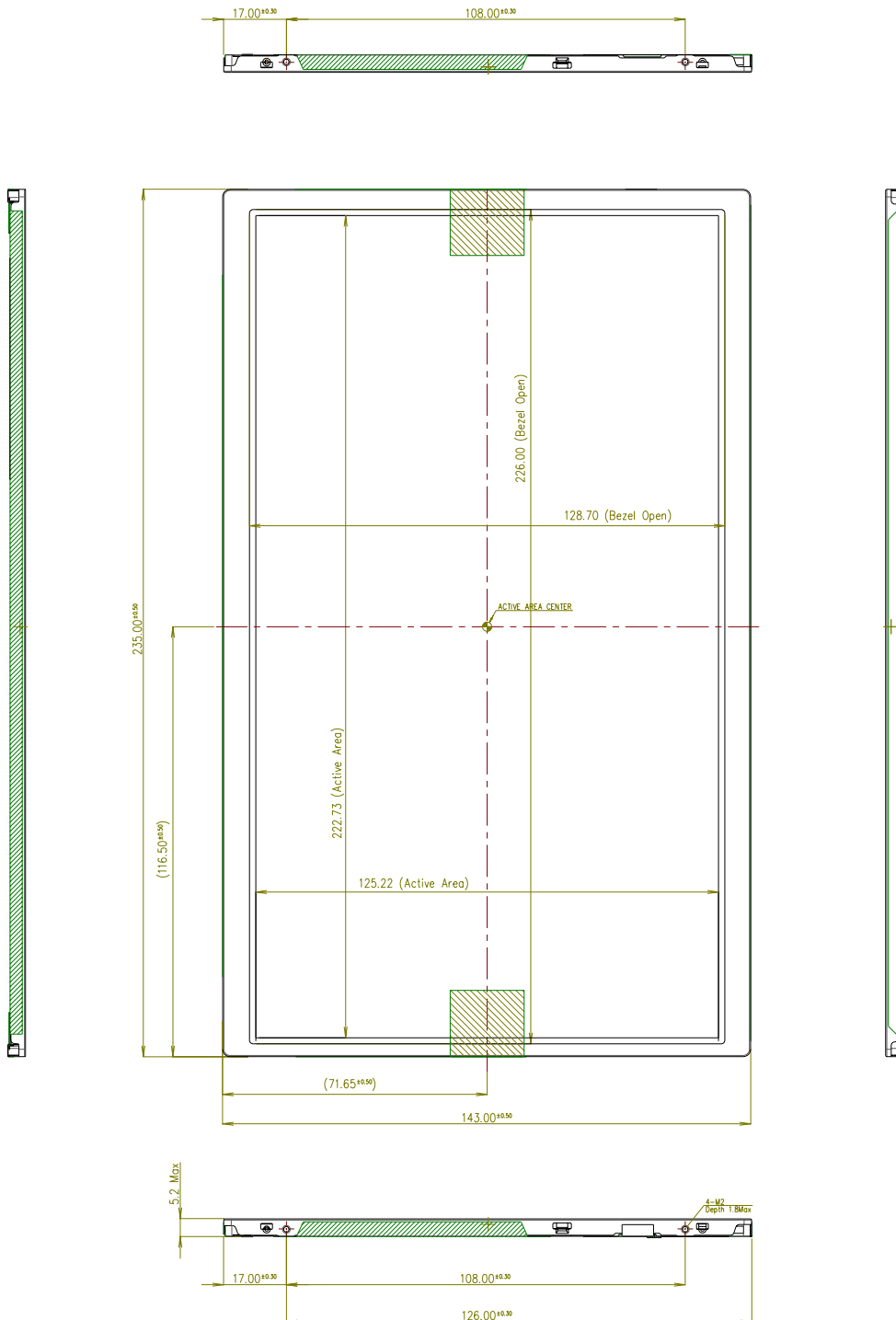
The contents provide general mechanical characteristics for the model LP101WH1. In addition the figures in the next page are detailed mechanical drawing of the LCD.

Outline Dimension	Horizontal	235.0 ± 0.5 mm
	Vertical	143.0 ± 0.5 mm
	Thickness	5.2mm (max)
Bezel Area	Horizontal	226.00 mm
	Vertical	128.70 mm
Active Display Area	Horizontal	222.73 mm
	Vertical	125.22 mm
Weight	200g (Max.)	
Surface Treatment	Glare treatment of the front polarizer	

Product Specification

<FRONT VIEW>

Note) Unit:[mm], General tolerance:  $\pm 0.5$ mm

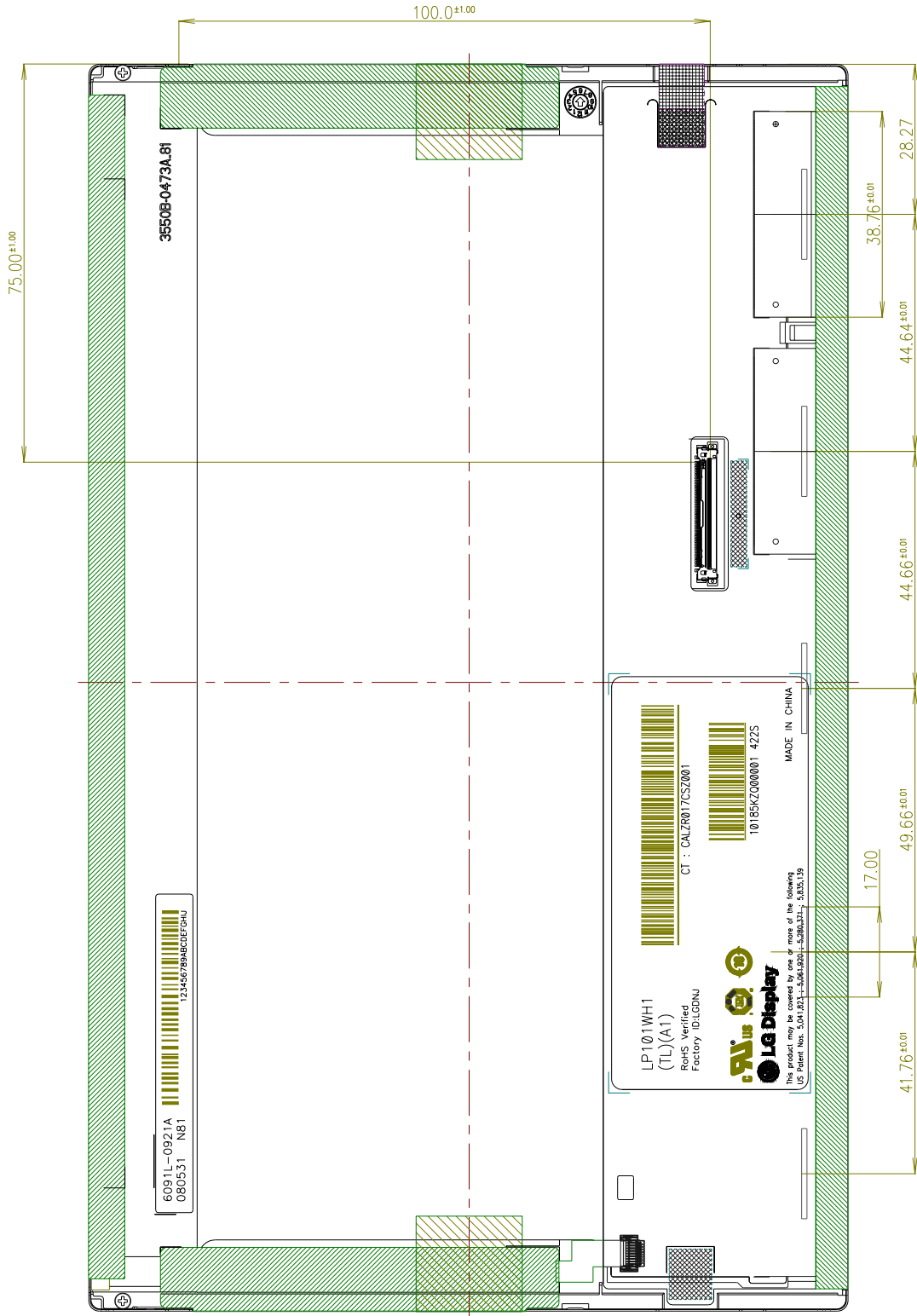


\* Bezel opening 1.5mm min. larger than active area on all 4 sides

Product Specification

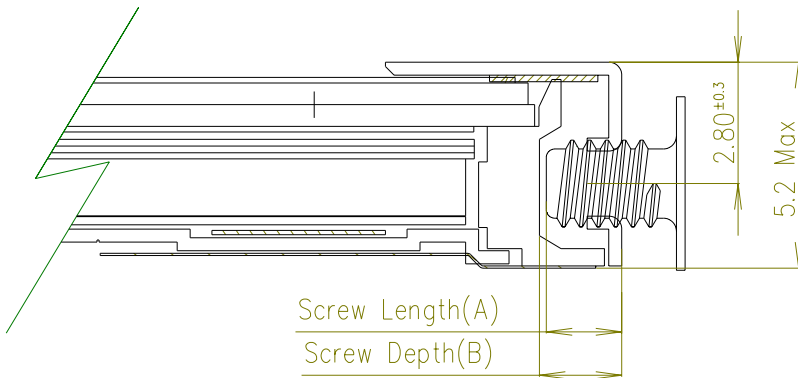
<REAR VIEW>

Note) Unit:[mm], General tolerance: ± 0.5mm



Product Specification

[ DETAIL DESCRIPTION OF SIDE MOUNTING SCREW ]



Section A-A

- \* Mounting Screw Length (A)  
= 1.5(Min) /1.8(Max)
- \* Mounting Screw Hole Depth (B)  
= 1.8(Min)
- \* Mounting hole location : 2.8(typ.)
- \* Torque : 2.0 kgf.cm(Max)  
(Measurement gauge : torque meter)

Notes : 1. Screw plated through the method of non-electrolytic nickel plating is preferred to reduce possibility that results in vertical and/or horizontal line defect due to the conductive particles from screw surface.

## 6. Reliability

Environment test condition

No.	Test Item	Conditions
1	High temperature storage test	Ta= 60°C, 240h
2	Low temperature storage test	Ta= -20°C, 240h
3	High temperature operation test	Ta= 50°C, 50%RH, 240h
4	Low temperature operation test	Ta= 0°C, 240h
5	Vibration test (non-operating)	Sine wave, 10 ~ 500 ~ 10Hz, 1.5G, 0.37oct/min 3 axis, 1hour/axis
6	Shock test (non-operating)	Half sine wave, 180G, 2ms one shock of each six faces(I.e. run 180G 6ms for all six faces)
7	Altitude operating storage / shipment	0 ~ 10,000 feet (3,048m) 24Hr 0 ~ 40,000 feet (12,192m) 24Hr

{ Result Evaluation Criteria }

There should be no change which might affect the practical display function when the display quality test is conducted under normal operating condition.

## 7. International Standards

### 7-1. Safety

- a) UL 60950-1:2003, First Edition, Underwriters Laboratories, Inc., Standard for Safety of Information Technology Equipment.
- b) CAN/CSA C22.2, No. 60950-1-03 1<sup>st</sup> Ed. April 1, 2003, Canadian Standards Association, Standard for Safety of Information Technology Equipment.
- c) EN 60950-1:2001, First Edition, European Committee for Electrotechnical Standardization(CENELEC) European Standard for Safety of Information Technology Equipment.

### 7-2. EMC

- a) ANSI C63.4 "Methods of Measurement of Radio-Noise Emissions from Low-Voltage Electrical and Electrical Equipment in the Range of 9kHz to 40GHz." American National Standards Institute(ANSI), 1992
- b) C.I.S.P.R "Limits and Methods of Measurement of Radio Interface Characteristics of Information Technology Equipment." International Special Committee on Radio Interference.
- c) EN 55022 "Limits and Methods of Measurement of Radio Interface Characteristics of Information Technology Equipment." European Committee for Electrotechnical Standardization.(CENELEC), 1998 ( Including A1: 2000 )

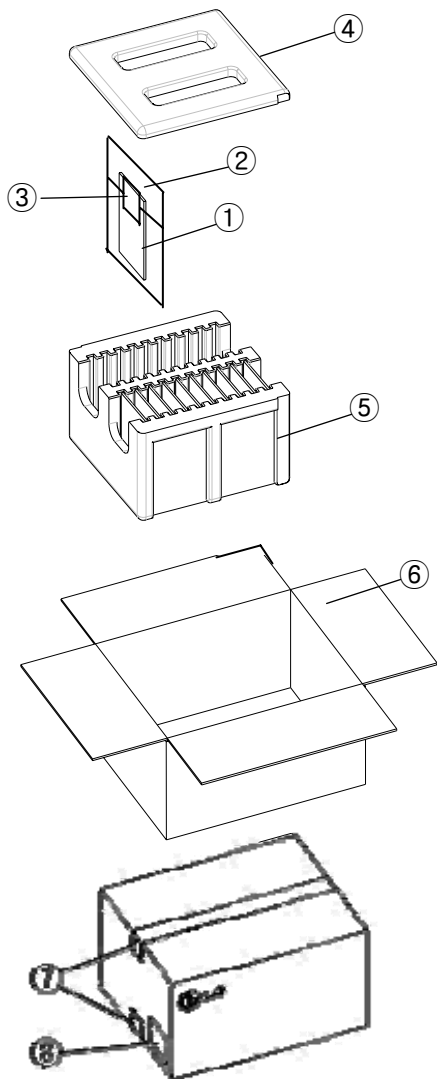
**Product Specification**

**8. Packing**

**8-1. Packing Form**

- a) Package quantity in one box : 40 pcs
- b) Box Size : 395mm × 390mm × 309mm

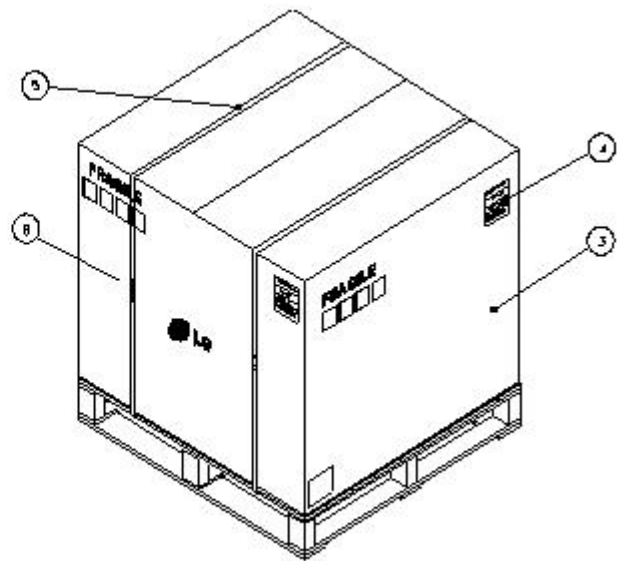
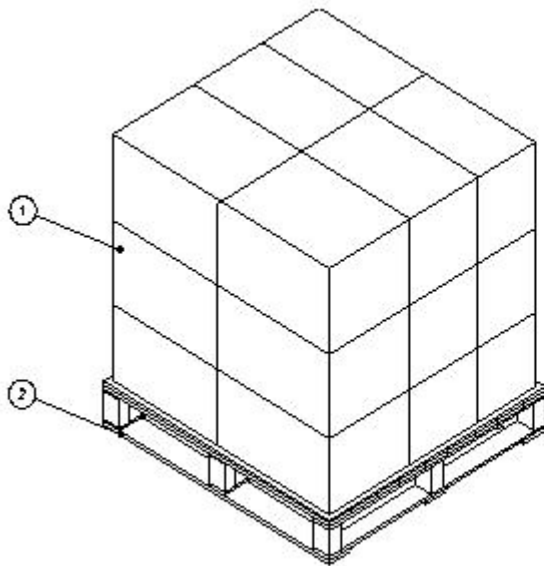
■ Packing Ass'y



NO.	DESCRIPTION	MATERIAL
1	LCD Module	
2	BAG	LDPE
3	TAPE	MASKING 20MMX50M
4	PACKING, TOP	EPS
5	PACKING, BOTTOM	EPS
6	BOX	SWR4
7	TAPE	OPP 70MMX300M
8	LABEL	ART 100X70

### 8-2. Pallet Ass'y

- 1) Box quantity in one pallet : 18 boxes
- 2) Package quantity in one pallet : 720 pcs



NO.	DESCRIPTION	MATERIAL
1	Packing AssY	
2	Pallet	Plywood
3	Angle Packing	SWR4
4	Label	ART 100X70
5	Band	PP
6	CLIP	Steel



Product Specification

### 8-3. Designation of Lot Mark

a) Lot Mark



A,B,C : SIZE(INCH)  
E : MONTH

D : YEAR  
F ~ M : SERIAL NO.

Note

1. YEAR

Year	2001	2002	2003	2004	2005	2006	2007	2008	2009	2010
Mark	1	2	3	4	5	6	7	8	9	0

2. MONTH

Month	Jan	Feb	Mar	Apr	May	Jun	Jul	Aug	Sep	Oct	Nov	Dec
Mark	1	2	3	4	5	6	7	8	9	A	B	C

b) Location of Lot Mark

Serial No. is printed on the label. The label is attached to the backside of the LCD module.  
This is subject to change without prior notice.

## 9. PRECAUTIONS

Please pay attention to the followings when you use this TFT LCD module.

### 9-1. MOUNTING PRECAUTIONS

- (1) You must mount a module using holes arranged in four corners or four sides.
- (2) You should consider the mounting structure so that uneven force (ex. Twisted stress) is not applied to the module. And the case on which a module is mounted should have sufficient strength so that external force is not transmitted directly to the module.
- (3) Please attach the surface transparent protective plate to the surface in order to protect the polarizer. Transparent protective plate should have sufficient strength in order to resist external force.
- (4) You should adopt radiation structure to satisfy the temperature specification.
- (5) Acetic acid type and chlorine type materials for the cover case are not desirable because the former generates corrosive gas of attacking the polarizer at high temperature and the latter causes circuit break by electro-chemical reaction.
- (6) Do not touch, push or rub the exposed polarizers with glass, tweezers or anything harder than HB pencil lead. And please do not rub with dust clothes with chemical treatment. Do not touch the surface of polarizer for bare hand or greasy cloth. (Some cosmetics are detrimental to the polarizer.)
- (7) When the surface becomes dusty, please wipe gently with absorbent cotton or other soft materials like chamois soaks with petroleum benzene. Normal-hexane is recommended for cleaning the adhesives used to attach front / rear polarizers. Do not use acetone, toluene and alcohol because they cause chemical damage to the polarizer.
- (8) Wipe off saliva or water drops as soon as possible. Their long time contact with polarizer causes deformations and color fading.
- (9) Do not open the case because inside circuits do not have sufficient strength.

### 9-2. OPERATING PRECAUTIONS

- (1) The spike noise causes the mis-operation of circuits. It should be lower than following voltage :  
 $V = \pm 200\text{mV}$  (Over and under shoot voltage)
- (2) Response time depends on the temperature. (In lower temperature, it becomes longer.)
- (3) Brightness depends on the temperature. (In lower temperature, it becomes lower.)  
And in lower temperature, response time (required time that brightness is stable after turned on) becomes longer.
- (4) Be careful for condensation at sudden temperature change. Condensation makes damage to polarizer or electrical contacted parts. And after fading condensation, smear or spot will occur.
- (5) When fixed patterns are displayed for a long time, remnant image is likely to occur.
- (6) Module has high frequency circuits. Sufficient suppression to the electromagnetic interference shall be done by system manufacturers. Grounding and shielding methods may be important to minimize the interference.

### 9-3. ELECTROSTATIC DISCHARGE CONTROL

Since a module is composed of electronic circuits, it is not strong to electrostatic discharge. Make certain that treatment persons are connected to ground through wrist band etc. And don't touch interface pin directly.

### 9-4. PRECAUTIONS FOR STRONG LIGHT EXPOSURE

Strong light exposure causes degradation of polarizer and color filter.

### 9-5. STORAGE

When storing modules as spares for a long time, the following precautions are necessary.

- (1) Store them in a dark place. Do not expose the module to sunlight or fluorescent light. Keep the temperature between 5°C and 35°C at normal humidity.
- (2) The polarizer surface should not come in contact with any other object.  
It is recommended that they be stored in the container in which they were shipped.

### 9-6. HANDLING PRECAUTIONS FOR PROTECTION FILM

- (1) When the protection film is peeled off, static electricity is generated between the film and polarizer.  
This should be peeled off slowly and carefully by people who are electrically grounded and with well ion-blown equipment or in such a condition, etc.
- (2) The protection film is attached to the polarizer with a small amount of glue. If some stress is applied to rub the protection film against the polarizer during the time you peel off the film, the glue is apt to remain on the polarizer.  
Please carefully peel off the protection film without rubbing it against the polarizer.
- (3) When the module with protection film attached is stored for a long time, sometimes there remains a very small amount of glue still on the polarizer after the protection film is peeled off.
- (4) You can remove the glue easily. When the glue remains on the polarizer surface or its vestige is recognized, please wipe them off with absorbent cotton waste or other soft material like chamois soaked with normal-hexane.

Product Specification

APPENDIX A. Enhanced Extended Display Identification Data (EEDID™) 1/3

	Byte (Dec)	Byte (Hex)	Field Name and Comments	Value (Hex)	Value (Bin)	
<b>Header</b>	0	00	Header	00	00000000	
	1	01	Header	FF	11111111	
	2	02	Header	FF	11111111	
	3	03	Header	FF	11111111	
	4	04	Header	FF	11111111	
	5	05	Header	FF	11111111	
	6	06	Header	FF	11111111	
<b>EDID Vendor / Product Version</b>	7	07	Header	00	00000000	
	8	08	EISA manufacture code ( 3 Character ID ) LGD	30	00110000	
	9	09	EISA manufacture code (Compressed ASCII )	E4	11100100	
	10	0A	Panel Supplier Reserved - Product Code 0207h	07	00000111	
	11	0B	( Hex. LSB first )	02	00000010	
	12	0C	LCD Module Serial No - Preferred but Optional ("0" If not used)	00	00000000	
	13	0D	LCD Module Serial No - Preferred but Optional ("0" If not used)	00	00000000	
	14	0E	LCD Module Serial No - Preferred but Optional ("0" If not used)	00	00000000	
	15	0F	LCD Module Serial No - Preferred but Optional ("0" If not used)	00	00000000	
	16	10	Week of Manufacture 0 weeks	00	00000000	
	17	11	Year of Manufacture 2009years	13	00010011	
<b>Display Parameters</b>	18	12	EDID structure version # = 1	01	00000001	
	19	13	EDID revision # = 3	03	00000011	
	20	14	Video input Definition = Digital signal	80	10000000	
	21	15	Max H image size (Rounded cm) = 22 cm	16	00010110	
<b>Panel Color Coordinates</b>	22	16	Max V image size (Rounded cm) = 13 cm	0D	00001101	
	23	17	Display gamma = (gamma*100)-100 = Example:(2.2*100)-100=120 = 2.2 Gamma	78	01111000	
	24	18	Feature Support (no_DPMS, no_Active Off/Very Low Power, RGB color display, Timing BLK 1,no_GTF)	0A	00001010	
	25	19	Red/Green Low Bits (RxRy/GxGy)	BF	10111111	
	26	1A	Blue/White Low Bits (BxBw/WxWy)	45	01000101	
	27	1B	Red X Rx = 0.584	95	10010101	
	28	1C	Red Y Ry = 0.347	58	01011000	
	29	1D	Green X Gx = 0.323	52	01010010	
<b>Established Timin</b>	30	1E	Green Y Gy = 0.542	8A	10001010	
	31	1F	Blue X Bx = 0.157	28	00101000	
	32	20	Blue Y By = 0.145	25	00100101	
	33	21	White X Wx = 0.313	50	01010000	
	34	22	White Y Wy = 0.329	54	01010100	
	35	23	Established timing 1 (00h if not used)	00	00000000	
	36	24	Established timing 2 (00h if not used)	00	00000000	
	37	25	Manufacturer's timings (00h if not used)	00	00000000	
	<b>Standard Timing ID</b>	38	26	Standard timing ID1 (01h if not used)	01	00000001
		39	27	Standard timing ID1 (01h if not used)	01	00000001
40		28	Standard timing ID2 (01h if not used)	01	00000001	
41		29	Standard timing ID2 (01h if not used)	01	00000001	
42		2A	Standard timing ID3 (01h if not used)	01	00000001	
43		2B	Standard timing ID3 (01h if not used)	01	00000001	
44		2C	Standard timing ID4 (01h if not used)	01	00000001	
45		2D	Standard timing ID4 (01h if not used)	01	00000001	
46		2E	Standard timing ID5 (01h if not used)	01	00000001	
47		2F	Standard timing ID5 (01h if not used)	01	00000001	
48		30	Standard timing ID6 (01h if not used)	01	00000001	
49		31	Standard timing ID6 (01h if not used)	01	00000001	
50		32	Standard timing ID7 (01h if not used)	01	00000001	
51		33	Standard timing ID7 (01h if not used)	01	00000001	
52		34	Standard timing ID8 (01h if not used)	01	00000001	
53		35	Standard timing ID8 (01h if not used)	01	00000001	

Product Specification

APPENDIX A. Enhanced Extended Display Identification Data (EEDID™) 2/3

	Byte (Dec)	Byte (Hex)	Field Name and Comments	Value (Hex)	Value (Bin)
<i>Timing Descriptor #1</i>	54	36	Pixel Clock/10,000 (LSB) 72.3 MHz @ 59.97Hz	3E	00111110
	55	37	Pixel Clock/10,000 (MSB)	1C	00011100
	56	38	Horizontal Active (lower 8 bits) 1366 Pixels	56	01010110
	57	39	Horizontal Blanking(Thp-HA) (lower 8 bits) 160 Pixels	A0	10100000
	58	3A	Horizontal Active / Horizontal Blanking(Thp-HA) (upper 4:4bits)	50	01010000
	59	3B	Vertical Avtive 768 Lines	00	00000000
	60	3C	Vertical Blanking (Tvp-HA) (DE Blanking typ.for DE only panels) 22 Lines	16	00010110
	61	3D	Vertical Active : Vertical Blanking (Tvp-HA) (upper 4:4bits)	30	00110000
	62	3E	Horizontal Sync. Offset (Thfp) 48 Pixels	30	00110000
	63	3F	Horizontal Sync Pulse Width (HSPW) 32 Pixels	20	00100000
	64	40	Vertical Sync Offset(Tvfp) : Sync Width (VSPW) 3 Lines : 5 Lines	35	00110101
	65	41	Horizontal Vertical Sync Offset/Width (upper 2bits)	00	00000000
	66	42	Horizontal Image Size (mm) 224 mm	E0	11100000
	67	43	Vertical Image Size (mm) 126 mm	7E	01111110
68	44	Horizontal Image Size / Vertical Image Size	00	00000000	
69	45	Horizontal Border = 0 (Zero for Notebook LCD)	00	00000000	
70	46	Vertical Border = 0 (Zero for Notebook LCD)	00	00000000	
71	47	Non-Interlace, Normal display, no stereo, Digital Separate ( Vsync_NEG, Hsync_POS ), DE only note : LSB is set to '1' if panel is DE-timing only. H/V can be ignored.	1B	00011011	
<i>Timing Descriptor #2</i>	72	48	Flag	00	00000000
	73	49	Flag	00	00000000
	74	4A	Flag	00	00000000
	75	4B	Data Type Tag (Descriptor Defined by manufacturer)	00	00000000
	76	4C	Flag	00	00000000
	77	4D	Descriptor Defined by manufacturer	00	00000000
	78	4E	Descriptor Defined by manufacturer	00	00000000
	79	4F	Descriptor Defined by manufacturer	00	00000000
	80	50	Descriptor Defined by manufacturer	00	00000000
	81	51	Descriptor Defined by manufacturer	00	00000000
	82	52	Descriptor Defined by manufacturer	00	00000000
	83	53	Descriptor Defined by manufacturer	00	00000000
	84	54	Descriptor Defined by manufacturer	00	00000000
	85	55	Descriptor Defined by manufacturer	00	00000000
	86	56	Descriptor Defined by manufacturer	00	00000000
	87	57	Descriptor Defined by manufacturer	00	00000000
	88	58	Descriptor Defined by manufacturer	00	00000000
	89	59	Descriptor Defined by manufacturer	00	00000000
	<i>Timing Descriptor #3</i>	90	5A	Flag	00
91		5B	Flag	00	00000000
92		5C	Flag	00	00000000
93		5D	Data Type Tag ( ASCII String )	FE	11111110
94		5E	Flag	00	00000000
95		5F	ASCII String L	4C	01001100
96		60	ASCII String G	47	01000111
97		61	ASCII String	20	00100000
98		62	ASCII String D	44	01000100
99		63	ASCII String i	69	01101001
100		64	ASCII String s	73	01110011
101		65	ASCII String p	70	01110000
102		66	ASCII String l	6C	01101100
103		67	ASCII String a	61	01100001
104		68	ASCII String y	79	01111001
105		69	Manufacturer P/N(If<13 char--> 0Ah, then terminate with ASCII code 0Ah,set remaining char = 20h)	0A	00001010
106		6A	Manufacturer P/N(If<13 char--> 0Ah, then terminate with ASCII code 0Ah,set remaining char = 20h)	20	00100000
107		6B	Manufacturer P/N(If<13 char--> 0Ah, then terminate with ASCII code 0Ah,set remaining char = 20h)	20	00100000

Product Specification

**APPENDIX A. Enhanced Extended Display Identification Data (EEDID™) 3/3**

	Byte (Dec)	Byte (Hex)	Field Name and Comments	Value (Hex)	Value (Bin)
<b>Timing Descriptor #4</b>	108	<b>6C</b>	Flag	<b>00</b>	00000000
	109	<b>6D</b>	Flag	<b>00</b>	00000000
	110	<b>6E</b>	Flag	<b>00</b>	00000000
	111	<b>6F</b>	Data Type Tag ( Monitor Name, stored as ASCII )	<b>FC</b>	11111100
	112	<b>70</b>	Flag	<b>00</b>	00000000
	113	<b>71</b>	Monitor Name, stored as ASCII L	<b>4C</b>	01001100
	114	<b>72</b>	Monitor Name, stored as ASCII P	<b>50</b>	01010000
	115	<b>73</b>	Monitor Name, stored as ASCII l	<b>31</b>	00110001
	116	<b>74</b>	Monitor Name, stored as ASCII 0	<b>30</b>	00110000
	117	<b>75</b>	Monitor Name, stored as ASCII i	<b>31</b>	00110001
	118	<b>76</b>	Monitor Name, stored as ASCII W	<b>57</b>	01010111
	119	<b>77</b>	Monitor Name, stored as ASCII H	<b>48</b>	01001000
	120	<b>78</b>	Monitor Name, stored as ASCII l	<b>31</b>	00110001
	121	<b>79</b>	Monitor Name, stored as ASCII -	<b>2D</b>	00101101
	122	<b>7A</b>	Monitor Name, stored as ASCII T	<b>54</b>	01010100
123	<b>7B</b>	Monitor Name, stored as ASCII L	<b>4C</b>	01001100	
124	<b>7C</b>	Monitor Name, stored as ASCII A	<b>41</b>	01000001	
125	<b>7D</b>	Monitor Name, stored as ASCII l	<b>31</b>	00110001	
<b>Chec</b>	126	<b>7E</b>	Extension flag (# of optional 128 panel ID extension block to follow, Typ = 0)	<b>00</b>	00000000
	127	<b>7F</b>	Check Sum (The 1-byte sum of all 128 bytes in this panel ID block shall = 0)	<b>F1</b>	11110001